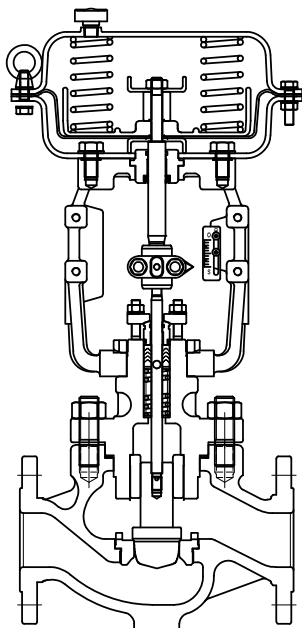


1. GLOBE VALVE (2 WAY SINGLE SEATED TYPE)

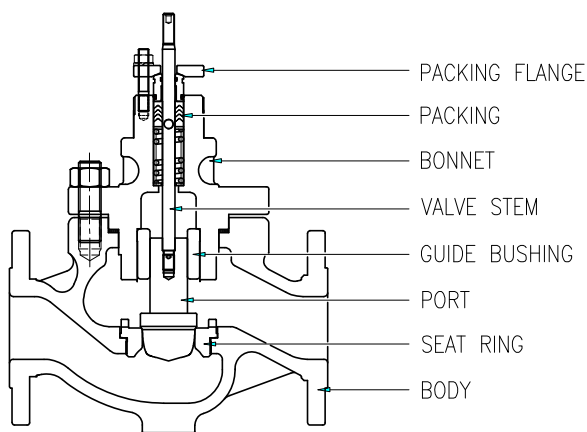
MODEL NAME VM-1100	GLOBE VALVE	BALL VALVE	BUTTERFLY VALVE	DESUPERHEATER	SPECIAL PRODUCTS	ACTUATOR	ACCESSORY	TECHNICAL DATA
-----------------------	-------------	------------	-----------------	---------------	------------------	----------	-----------	----------------

1. INTRODUCTION : SINGLE SEATED TYPE



1100 /1400 Series : Single Seated Control Valve has been designed and manufactured to control the flow of precise fluid and control complicated fluid amount valve plug has been designed to withstand severe vibration by allowing sufficient guide and in order to minimize pressure loss at low temperature, it has "S" type design from the IEC Standards to allow great amount of fluid to flow. It's top entry type design allows maintenance & repair. It is also good at adapting to fluid amount and to fluid changes in process line. It is economical, Because it does not require many accessories. It has been proven effective and control process line with high temperature, high pressure and fluids with high viscosity and the single seat design allows tight shut-off. It is appropriate at system that requires quick cut-off during emergency.

2. INNER STRUCTURE & STANDARD SPECIFICATIONS



PRESSURE RATING

JIS/KS 10K, 16K, 20K, 30K, 40K, 63K

ANSI CLASS 150, 300, 600, 900, 1500

END CONNECTION

Flanged End : FF, RF, RTJ, SW, BW, etc.

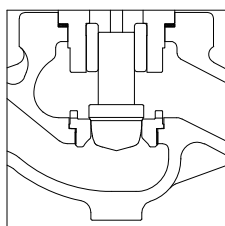
MATERIAL

BODY : SCPH2, SCS13A, SCS14A, SCS16, etc.

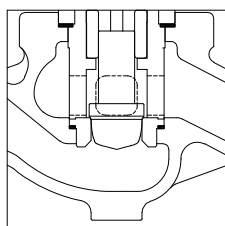
TRIM : SUS304, SUS316, SUS316L

GASKET : SUS316+Graphite Spiral Wound, etc.

GENERAL PORT TYPE



TOP GUIDE TYPE
(VM-1100)



CAGE GUIDE TYPE
(VM-1400)

FLOW DIRECTION

FTC : Flow action to Close

1. GLOBE VALVE (2 WAY SINGLE SEATED TYPE)

MODEL NAME
VM-1100

GLOBE VALVE

BALL VALVE

BUTTERFLY VALVE

DESUPERHEATER

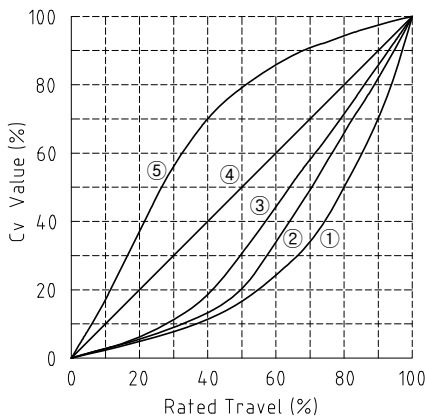
SPECIAL PRODUCTS

ACTUATOR

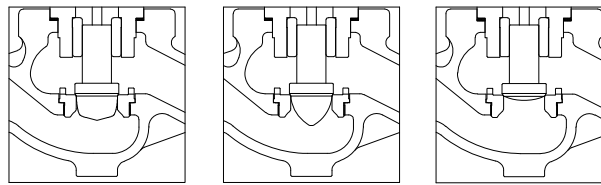
ACCESSORY

TECHNICAL DATA

3. FLOW CHARACTERISTIC & POSITIONER LOCATION

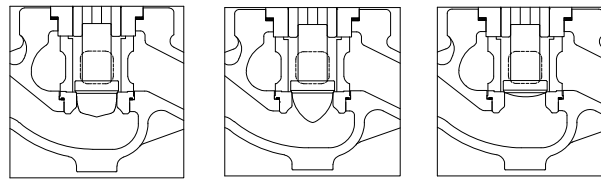


- ① Equal Percentage
- ② Parabolic
- ③ Modified Parabolic
- ④ Linear
- ⑤ Quick Change



P - EQ% PORT LINEAR PORT ON-OFF PORT

TOP GUIDE SINGLE SEATED TYPE



P - EQ% PORT LINEAR PORT ON-OFF PORT

CAGE GUIDE SINGLE SEATED TYPE

4. COMBINING THE VALVE BODY, BONNET AND TRIM MATERIAL.

PARTS NAME		MATERIALS		
BODY, BONNET		SCPH2 (ASTM A216-WCB)	SCS13A (ASTM A351-CF8)	SCS14A (ASTM A351-CF8M)
TRIM	SEAT RING	SUS316 (+STELLITE) , SUS304 (+STELLITE)		SUS316 (+STELLITE)
	VALVE PLUG			
	VALVE STEM	SUS316 (HARD CHROMIUM PLATED)		
	GUIDE BUSHING	SUS420J2 (HARD FACE)		SUS316 (HARD Cr PLATED)
STUD BOLT & NUT		SNB7 / S45C(H) S45(H) / S45C(N)	SUS304	

5. STANDARD SIZE & Cv VALUE

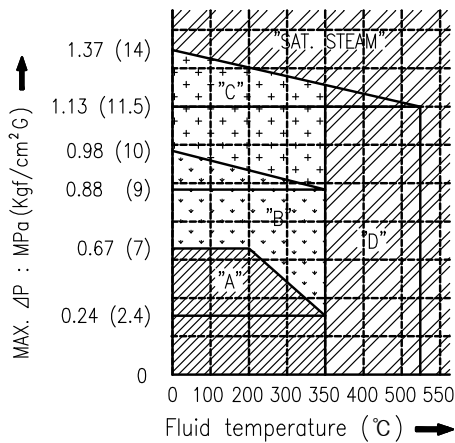
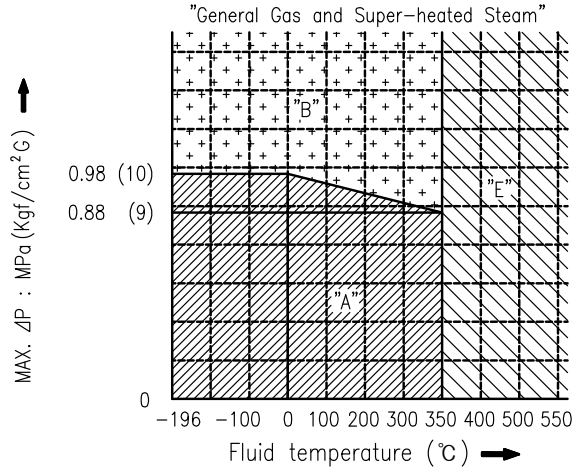
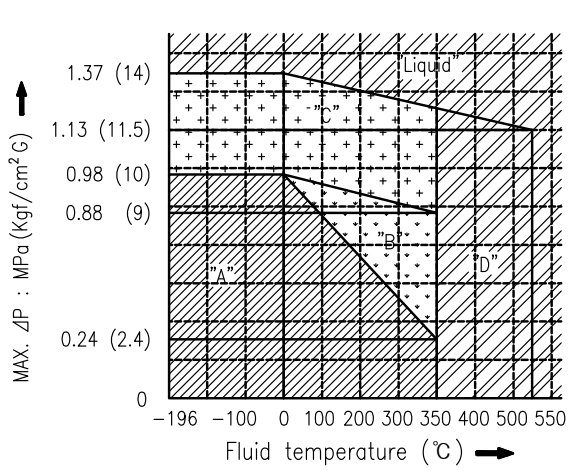
Valve Type		2 Way Globe For Single Seated Type											REMARK		
Size	inch	½	¾	1	1½	2	2½	3	4	5	6	8			
	mm	15	20	25	40	50	65	80	100	125	150	200			
Rated Travel (mm)		15	15	15	25	25	25	38	38	50	75	75			
Cv Value (Full)	Control Type	6	9	14	28	40	50	70	90	130	130	280	340	660	
	On-off Type	8	11	16	50	60	80	140	190	300	370	700			

1. GLOBE VALVE

(2 WAY TOP GUIDE SINGLE SEATED TYPE)

MODEL NAME VM-1100
GLOBE VALVE
BALL VALVE
BUTTERFLY VALVE
DESUPERHEATER
SPECIAL PRODUCTS
ACTUATOR
ACCESSORY
TECHNICAL DATA

6. TRIM TREATMENT & MATERIAL VS OPERTING PRESSURE-TEMPERATURE RATINGS



	DESCRIPTION
"A"	Stellite standard (Plug & Seat)
"B"	Stellite standard and Ion treatment
"C"	Stellite face
"D"	Stellite face+Stellite of guide bushing and post
"E"	Stellite seat+Stellite of guide bushing and post

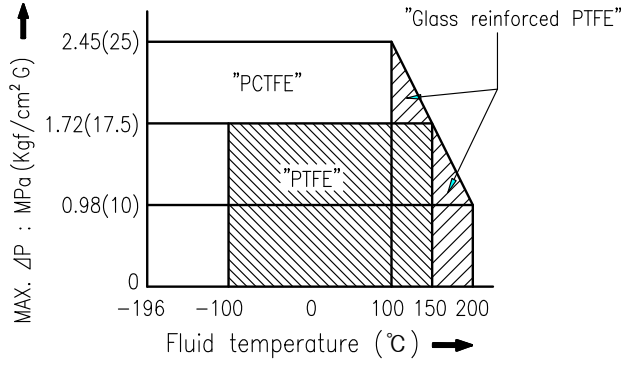
NOTE

- (1) Seat ring of on-off control valve and of throttling control valve for tight shut off is hard faced at the area of Stellite seat and cover.
- (2) In case of flushing fluid, seat ring is hard faces at the area of Stellite area.
- (3) In case of fluid sort, at 350°C and over, guide bushing and guide post is hard faced be Stellite treatment.
- (4) In case of saturated steam, if inlet pressure is 0.69Mpa (7Kgf/cm²G) and over, seat ring is hard faced at area of Stellite seat and over.

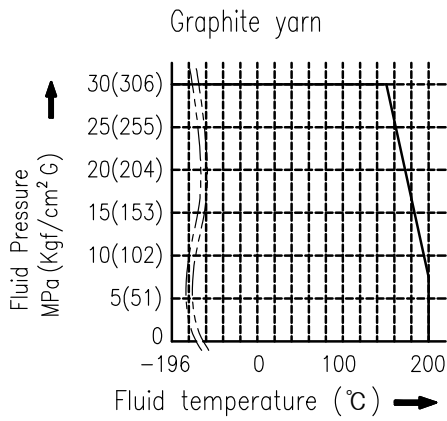
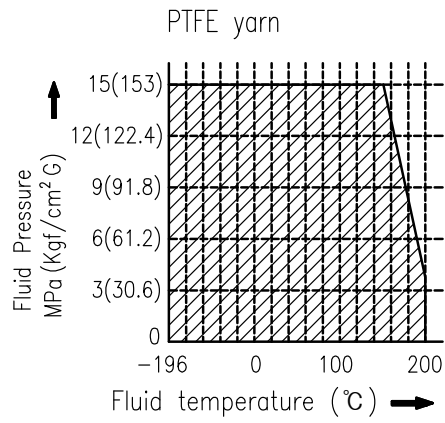
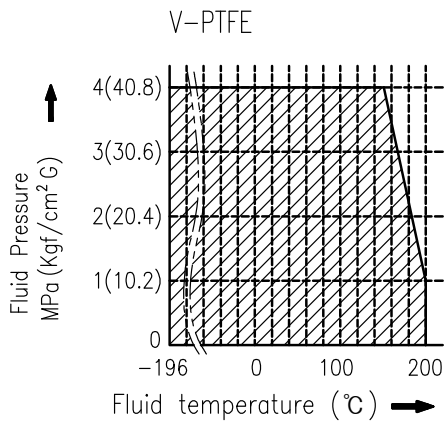
1. GLOBE VALVE

(2 WAY TOP GUIDE SINGLE SEATED TYPE)

7. SOFT SEAT OPERATING PRESSURE-TEMPERATURE RATINGS



8. GRAND PACKING OPERATING PRESSURE-TEMPERATURE RATINGS



MODEL NAME
VM-1100

GLOBE VALVE

BALL VALVE

BUTTERFLY VALVE

DESUPERHEATER

SPECIAL PRODUCTS

ACTUATOR

ACCESSORY

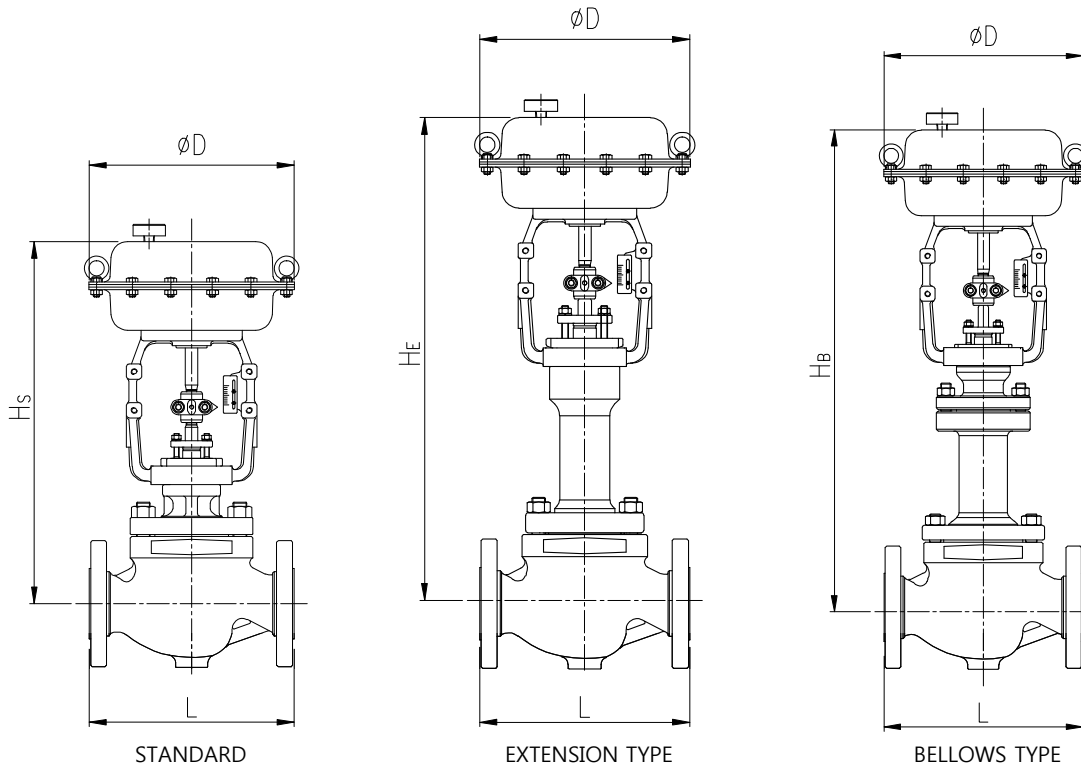
TECHNICAL DATA

1. GLOBE VALVE

(2 WAY TOP GUIDE SINGLE SEATED TYPE)

MODEL NAME VM-1100	GLOBE VALVE	BALL VALVE	BUTTERFLY VALVE	DESUPERHEATER	SPECIAL PRODUCTS	ACTUATOR	ACCESSORY	TECHNICAL DATA
-----------------------	-------------	------------	-----------------	---------------	------------------	----------	-----------	----------------

9. STANDARD EXTERNAL DIMENSIONS



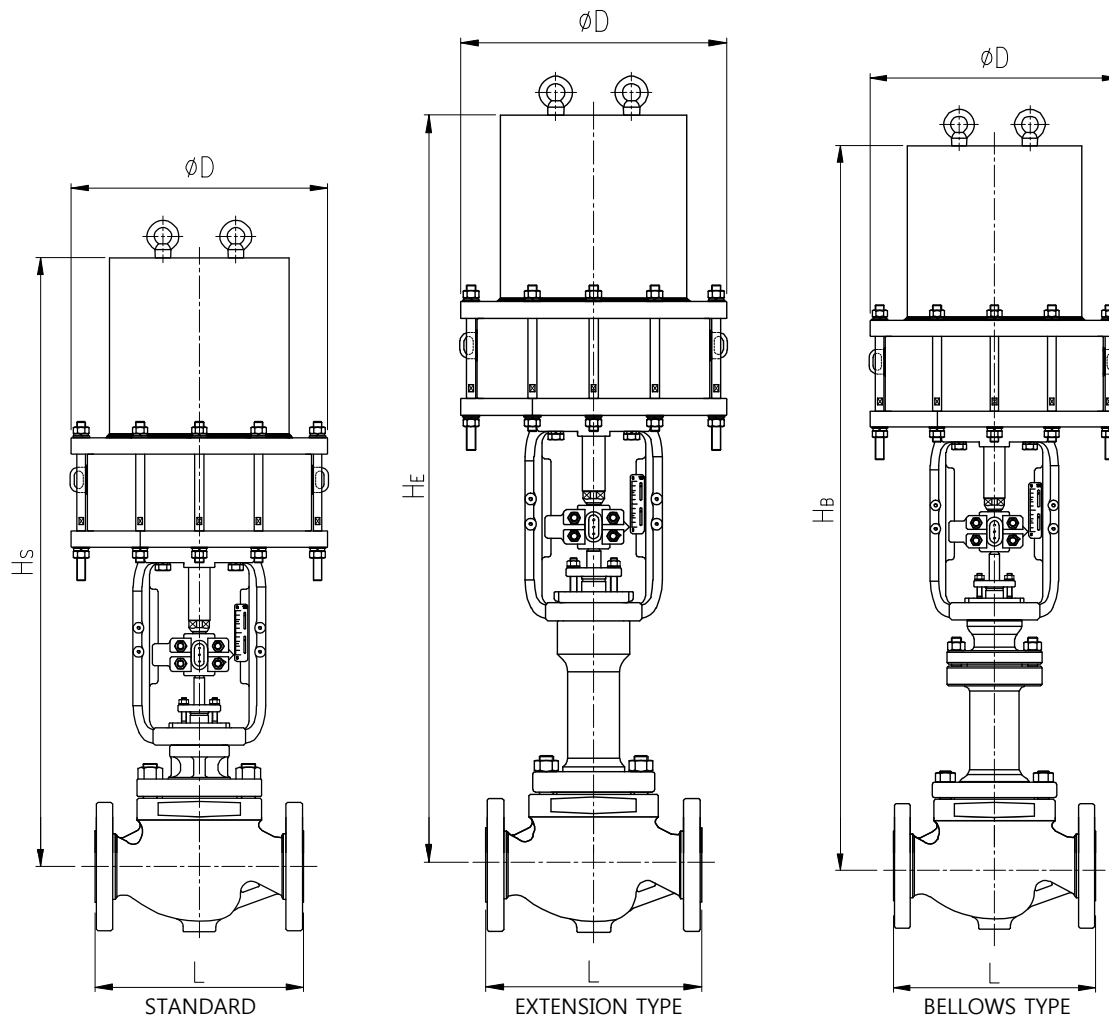
UNIT : mm

SIZE (inch)	150lb RF (JIS/KS 10K)				300lb RF (JIS/KS 20K)				ϕD
	H_s	H_E	H_B	L	H_s	H_E	H_B	L	
	STANDARD	EXTENSION	BELLOWS	FACE TO FACE	STANDARD	EXTENSION	BELLOWS	FACE TO FACE	
½	310	435	595	184	310	435	595	190	220
¾	310	435	595	184	310	435	595	184	220
1	375	510	670	184	375	510	670	197	270
1½	500	590	730	222	500	590	730	235	270
2	500	600	750	254	500	600	750	267	270
2½	630	730	900	276	630	730	900	292	365
3	635	755	925	298	635	755	925	318	365
4	660	780	970	352	660	780	970	368	365
5	860	990	1170	403	860	990	1170	425	-
6	955	1095	1270	451	955	1095	1270	473	-
8	1090	-	-	543	1090	-	-	568	-

Note : Face to face dimension conform to IEC 534-3 : 1976 Specifications.

1. GLOBE VALVE

(2 WAY TOP GUIDE SINGLE SEATED TYPE)



UNIT : mm

SIZE (inch)	600lb RF (JIS/KS 10K)				900lb RF (JIS/KS 20K)				ΦD
	Hs	HE	Hb	L	Hs	HE	Hb	L	
	STANDARD	EXTENSION	BELLOWS	FACE TO FACE	STANDARD	EXTENSION	BELLOWS	FACE TO FACE	
½	365	490	595	203	365	490	595	273	140
¾	365	490	595	206	365	490	595	273	140
1	411	546	670	210	411	546	670	273	220
1½	536	626	730	251	536	626	730	311	220
2	550	650	750	286	550	650	750	340	280
2½	680	780	900	311	680	780	900	365	280
3	711	831	925	337	711	831	925	387	320
4	736	856	970	394	736	856	970	464	320
5	923	1053	1170	457	923	1053	1170	587	380
6	1018	1158	1270	508	1018	1158	1270	600	380
8	1120	1320	1480	610	1120	1320	1480	781	480

Note : Face to face dimension conform to IEC 534-3 : 1976 Specifications.

MODEL NAME
VM-1100

GLOBE VALVE

BALL VALVE

BUTTERFLY VALVE

DESUPERHEATER

SPECIAL PRODUCTS

ACTUATOR

ACCESSORY

TECHNICAL DATA