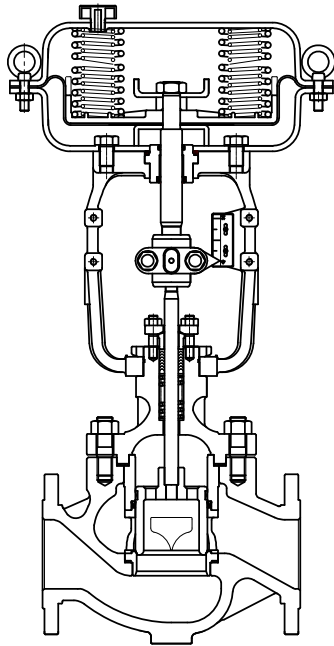


1. GLOBE VALVE (2 WAY CAGE GUIDE TYPE)

MODEL NAME VM-1300/1320	GLOBE VALVE	BALL VALVE	BUTTERFLY VALVE	DESUPERHEATER	SPECIAL PRODUCTS	ACTUATOR	ACCESSORY	TECHNICAL DATA
----------------------------	-------------	------------	-----------------	---------------	------------------	----------	-----------	----------------

1. INTRODUCTION : CAGE TYPE



1300 /1400 Series : Pressure balanced cage type control valve can be applied to relatively large sized valves and has been designed and manufactured to control the flow of high temperature, high differential pressure fluids in extreme process lines.

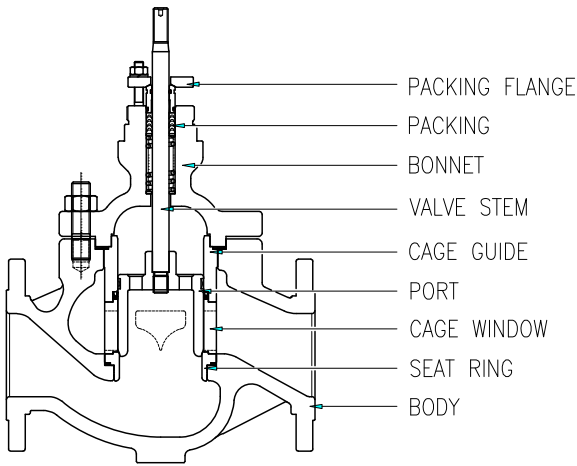
By maintaining ideal balance between plug and cage, it has less moving parts and its quick change type of top entry structure allows simple maintenance and repair.

It is good at coping with changes fluid amount and characteristic changes in process lines and It is economical, Because it does not require many accessories.

Wide selection of plug seal will achieve tight shut-off and it can be applied to system that requires quick cut-off during emergency.

In addition, It is designed to minimize pressure loss at low temperature due to its "S" type design from the IEC Standards thus allowing greater amount of fluids to flow.

2. INNER STRUCTURE & STANDARD SPECIFICATIONS



PRESSURE RATING

JIS/KS 10K, 16K, 20K, 30K, 40K, 63K

ANSI CLASS 150, 300, 600, 900, 1500

END CONNECTION

Flanged End : FF, RF, RTJ, SW, BW, etc.

MATERIAL

BODY : SCPH2, SCS13A, SCS14A, SCS16, etc.

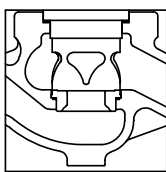
TRIM : SUS304, SUS316, SUS316L

GASKET : SUS316+Graphite Spiral Wound, etc.

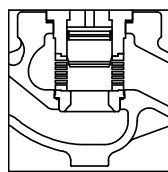
FLOW DIRECTION

FTC : Flow action to Close

GENERAL CAGE TYPE



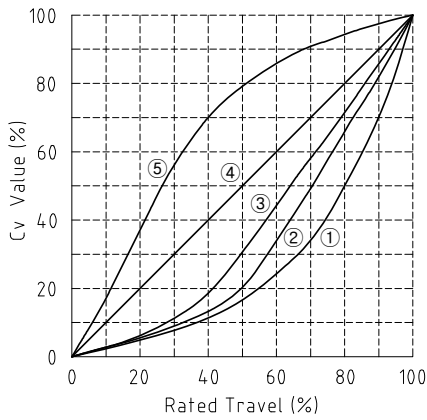
CAGE WINDOW
(VM-1300)



MULTI HOLE
(VM-1320)

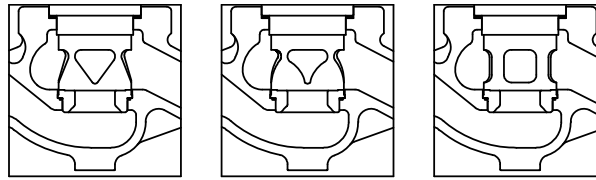
1. GLOBE VALVE (2 WAY CAGE GUIDE TYPE)

3. CAGE TYPE



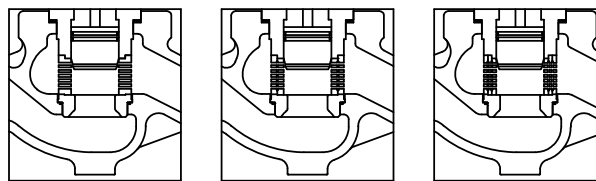
- ① Equal Percentage
- ② Parabolic
- ③ Modified Parabolic
- ④ Linear
- ⑤ Quick Change

VM - 1300 SERIES : Window Type



P - EQ% PORT LINEAR PORT ON-OFF PORT
PRESSURE UN/BALANCED TYPE

VM - 1320 SERIES : Multi Hole Type



SINGLE STAGE DOUBLE STAGE MULTI STAGE
LOW NOISE & ANTI CAVITATION TYPE

4. COMBINING THE VALVE BODY, BONNET AND TRIM MATERIAL.

PARTS NAME		MATERIALS		
BODY, BONNET		SCPH2 (ASTM A216-WCB)	SCS13A (ASTM A351-CF8)	SCS14A (ASTM A351-CF8M)
TRIM	SEAT RING	SUS316 (+STELLITE) , SUS304 (+STELLITE)		SUS316 (+STELLITE)
	VALVE PLUG			
	VALVE STEM	SUS316 (HARD CHROMIUM PLATED)		
	GUIDE BUSHING	SUS420J2 (HARD FACE)	SUS316 (HARD Cr PLATED)	
STUD BOLT & NUT		SNB7 / S45C(H) S45(H) / S45C(N)	SUS304	

5. STANDARD SIZE & Cv VALUE

Valve Type		2 Way Globe For Cage Seated Type											REMARK		
Size	inch	1½	2	2½	3	4	5	6	8	10	12	14			
	mm	40	50	65	80	100	125	150	200	250	300	350			
Rated Travel (mm)		25	25	25	38	38	50	50	75	100	100	100			
Cv Value (Full)	Control Type	28	40	55	70	90	130	180	280	480	660	1200	1600	2000	
	On-off Type	50	60	80	140	190	300	500	700	1250	1680	2100			

MODEL NAME
VM-1300/1320

GLOBE VALVE

BALL VALVE

BUTTERFLY VALVE

DESUPERHEATER

SPECIAL PRODUCTS

ACTUATOR

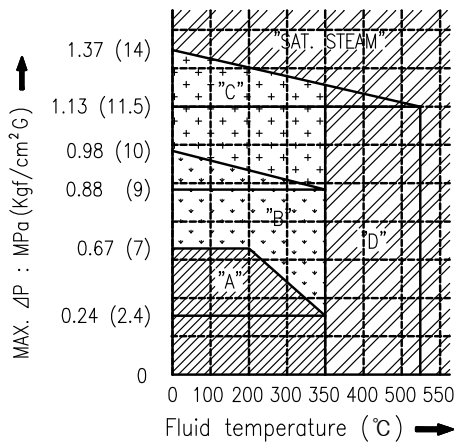
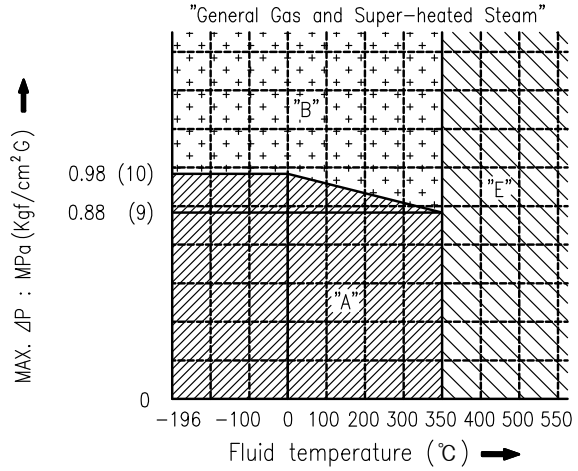
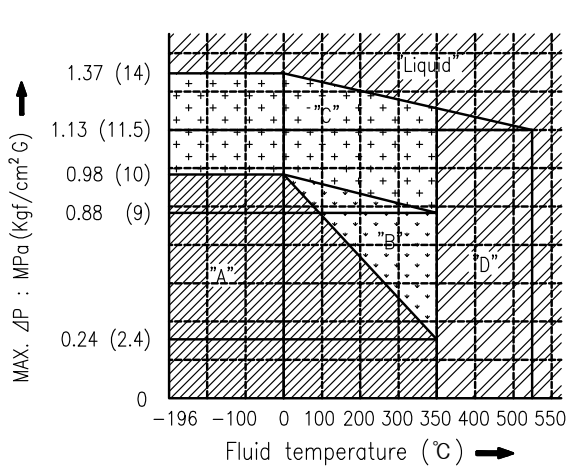
ACCESSORY

TECHNICAL DATA

1. GLOBE VALVE (2 WAY CAGE GUIDE TYPE)

MODEL NAME VM-1300/1320
GLOBE VALVE
BALL VALVE
BUTTERFLY VALVE
DESUPERHEATER
SPECIAL PRODUCTS
ACTUATOR
ACCESSORY
TECHNICAL DATA

6. TRIM TREATMENT & MATERIAL VS OPERTING PRESSURE-TEMPERATURE RATINGS



	DESCRIPTION
"A"	Stellite standard (Plug & Seat)
"B"	Stellite standard and Ion treatment
"C"	Stellite face
"D"	Stellite face+Stellite of guide bushing and post
"E"	Stellite seat+Stellite of guide bushing and post

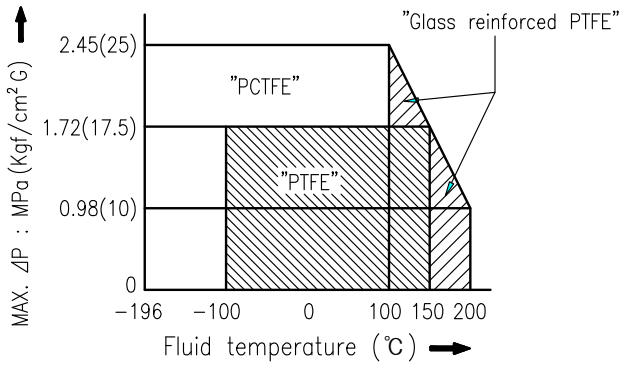
NOTE

- (1) Seat ring of on-off control valve and of throttling control valve for tight shut off is hard faced at the area of Stellite seat and cover.
- (2) In case of flushing fluid, seat ring is hard faces at the area of Stellite area.
- (3) In case of fluid sort, at 350°C and over, guide bushing and guide post is hard faced be Stellite treatment.
- (4) In case of saturated steam, if inlet pressure is 0.69Mpa (7Kgf/cm²G) and over, seat ring is hard faced at area of Stellite seat and over.

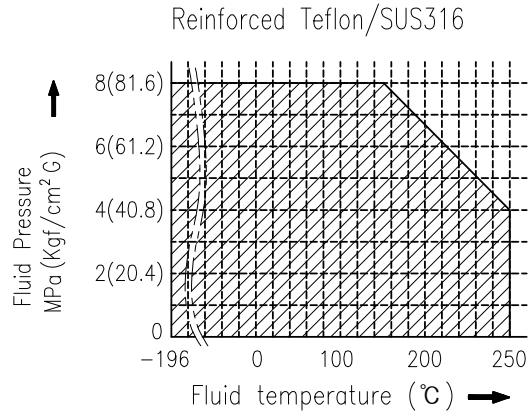
1. GLOBE VALVE (2 WAY CAGE GUIDE TYPE)

7. OPERATING PRESSURE-TEMPERATURE RATINGS

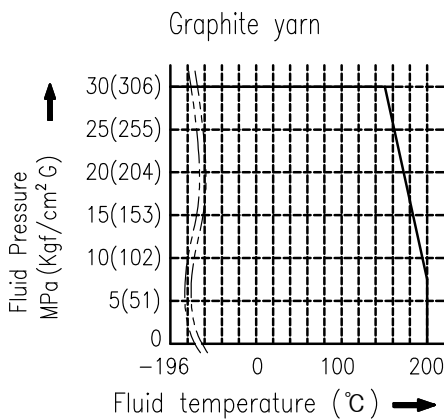
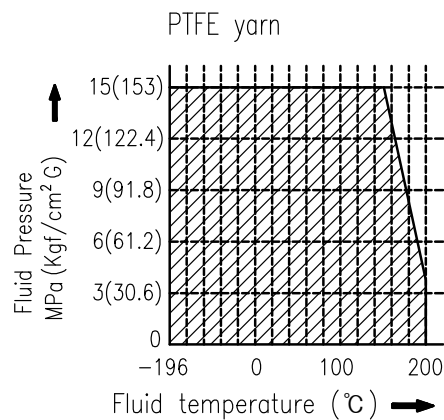
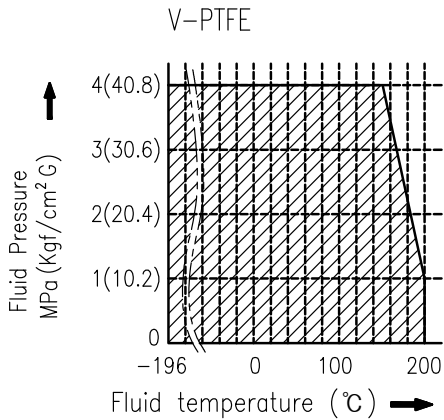
< SOFT SEAT >



< BALANCE SEAL >



8. GRAND PACKING OPERATING PRESSURE-TEMPERATURE RATINGS



MODEL NAME
VM-1300/1320

GLOBE VALVE

BALL VALVE

BUTTERFLY VALVE

DESUPERHEATER

SPECIAL PRODUCTS

ACTUATOR

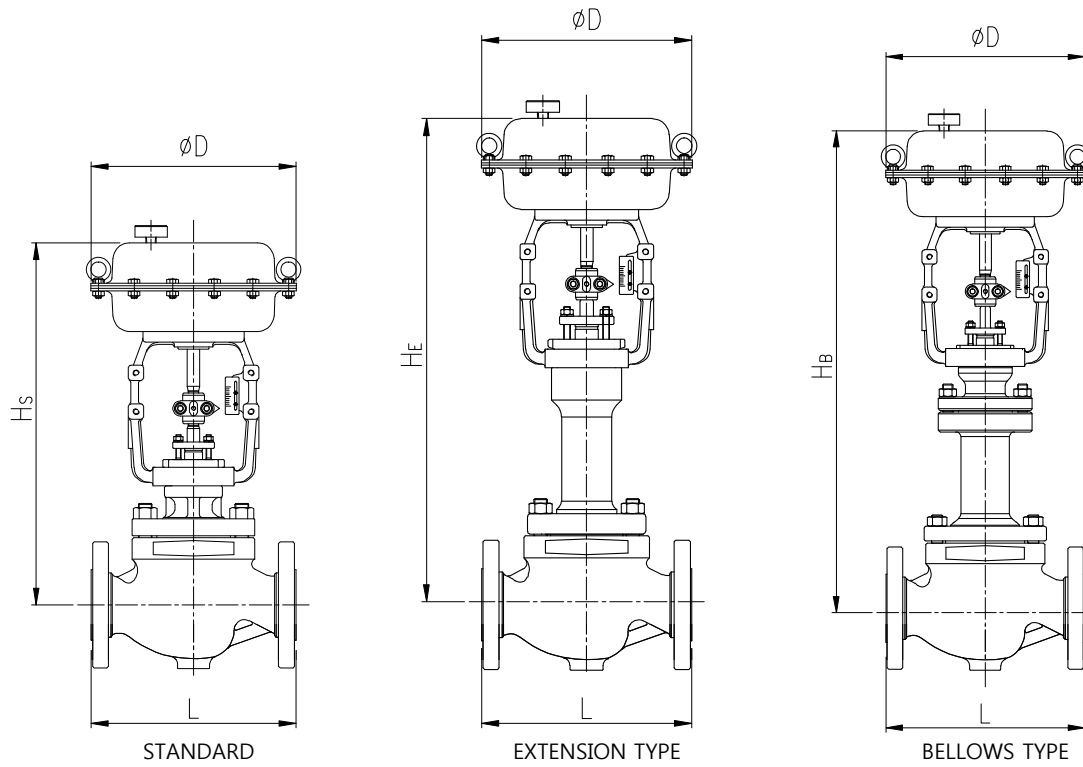
ACCESSORY

TECHNICAL DATA

1. GLOBE VALVE (2 WAY CAGE GUIDE TYPE)

MODEL NAME VM-1300/1320	GLOBE VALVE	BALL VALVE	BUTTERFLY VALVE	DESUPERHEATER	SPECIAL PRODUCTS	ACTUATOR	ACCESSORY	TECHNICAL DATA
----------------------------	-------------	------------	-----------------	---------------	------------------	----------	-----------	----------------

9. STANDARD EXTERNAL DIMENSIONS

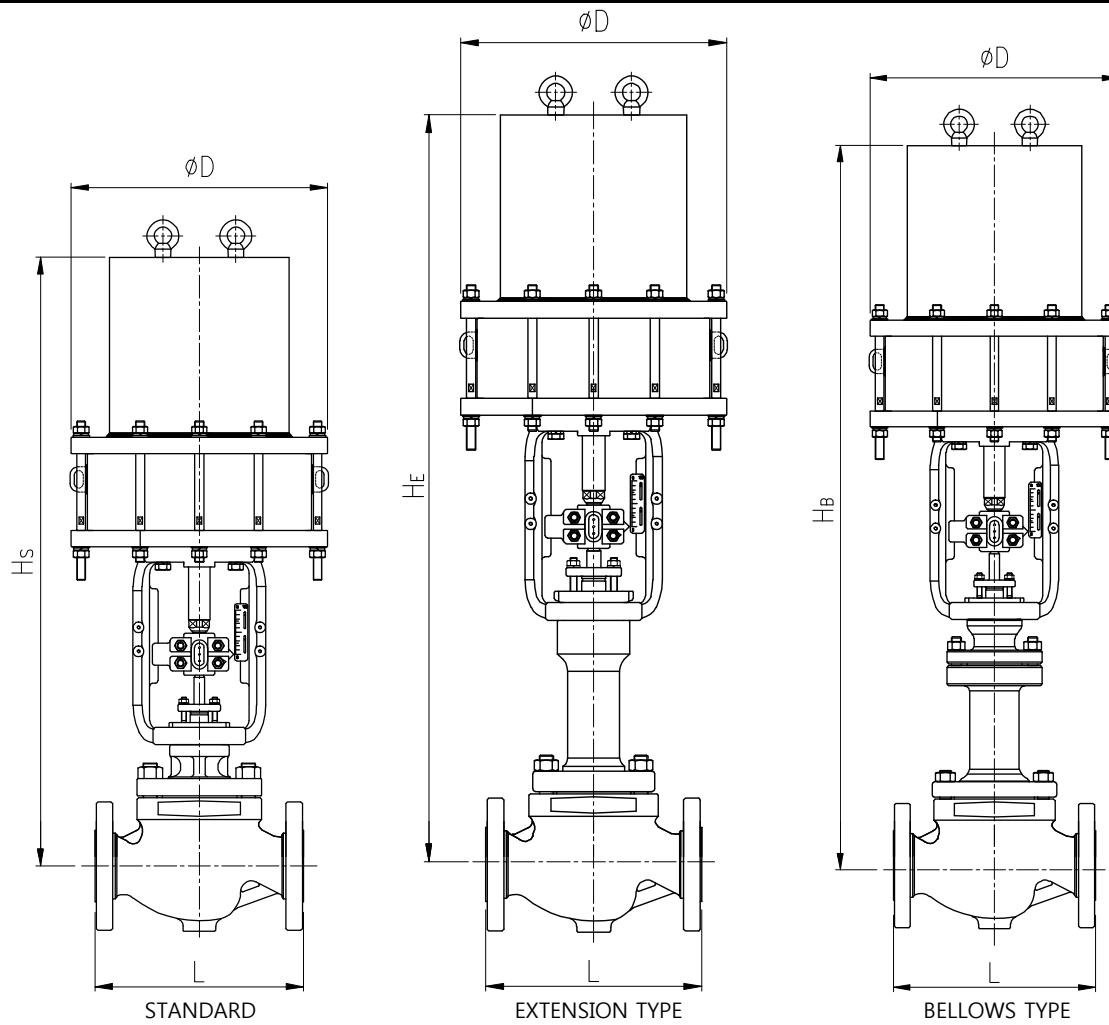


UNIT : mm

SIZE (inch)	150lb RF (JIS/KS 10K)				300lb RF (JIS/KS 20K)				øD
	Hs	HE	Hb	L	Hs	HE	Hb	L	
	STANDARD	EXTENSION	BELLOWS	FACE TO FACE	STANDARD	EXTENSION	BELLOWS	FACE TO FACE	
1½	500	590	730	222	500	590	730	235	270
2	500	600	750	254	500	600	750	267	270
2½	630	730	900	276	630	730	900	292	365
3	635	755	925	298	635	755	925	318	365
4	660	780	970	352	660	780	970	368	365
5	860	990	1170	403	860	990	1170	425	450
6	955	1095	1270	451	955	1095	1270	473	450
8	1025	1140	1140	543	1025	1140	1140	568	550
10	1095	1280	1280	673	1095	1280	1280	708	550
12	1125	1505	1505	737	1125	1505	1505	775	620
14	1320	1570	1570	889	1320	1570	1570	927	620

Note : Face to face dimension conform to IEC 534-3 : 1976 Specifications.

1. GLOBE VALVE (2 WAY CAGE GUIDE TYPE)



UNIT : mm

SIZE (inch)	600lb RF (JIS/KS 10K)				900lb RF (JIS/KS 20K)				ΦD
	Hs	He	Hb	L	Hs	He	Hb	L	
	STANDARD	EXTENSION	BELLOWS	FACE TO FACE	STANDARD	EXTENSION	BELLOWS	FACE TO FACE	
1½	536	626	730	251	536	626	730	311	220
2	550	650	750	286	550	650	750	340	280
2½	680	780	900	311	680	780	900	365	280
3	711	831	925	337	711	831	925	387	320
4	736	856	970	394	736	856	970	464	320
5	923	1053	1170	457	923	1053	1170	587	380
6	1018	1158	1270	508	1018	1158	1270	600	380
8	1090	1320	1480	610	1090	1320	1480	781	480
10	1120	1480	1520	752	1120	1480	1520	864	480
12	1335	1505	1620	819	1335	1505	1620	1016	480
14	1390	1600	1750	972	1390	1600	1750	1257	480

Note : Face to face dimension conform to IEC 534-3 : 1976 Specifications.

MODEL NAME VM-1300/1320
GLOBE VALVE
BALL VALVE
BUTTERFLY VALVE
DESUPERHEATER
SPECIAL PRODUCTS
ACTUATOR
ACCESSORY
TECHNICAL DATA