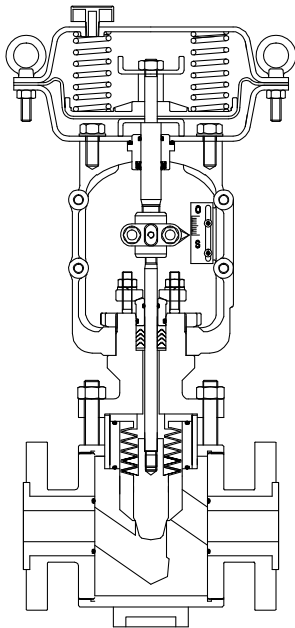


1. GLOBE VALVE (TEFLON VALVE TYPE)

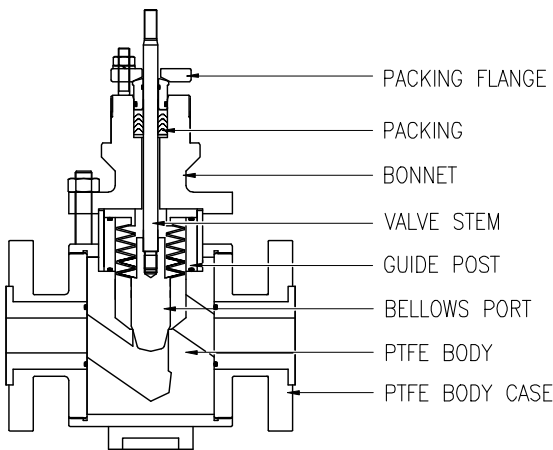
MODEL NAME
GLOBE VALVE
BALL VALVE
BUTTERFLY VALVE
DESUPERHEATER
SPECIAL PRODUCTS
ACTUATOR
ACCESSORY
TECHNICAL DATA

1. INTRODUCTION : TEFLON BODY TYPE



Model 5100 : TEFLON Body single seated control valve are best suited for handing corrosive fluids such as chemicals, alkali. Because, the wet parts are made of corrosion resistant materials. The valve body employs the structure not affected by the pipe line stress. The actuator utilizes a compact, powerful multi-spring diaphragm motor integrated with simple mechanism.

2. INNER STRUCTURE & STANDARD SPECIFICATIONS



PRESSURE RATING

JIS/KS 10K, 16K, 20K, 30K, 40K, 63K
ANSI CLASS 150, 300, 600, 900, 1500

END CONNECTION

Flanged End : FF, RF, RTJ, SW, BW, etc.

MATERIAL

BODY : SCPH2, SCS13A, SCS14A, SCS16, etc.

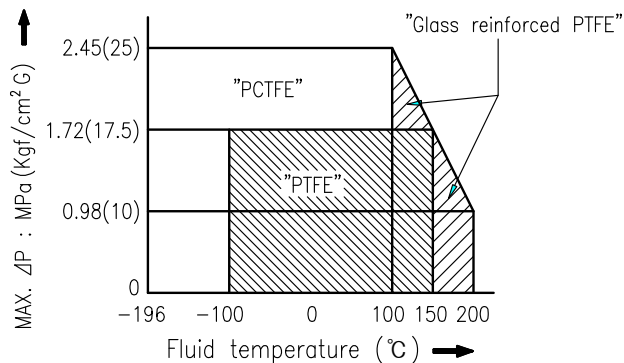
3. Cv VALUE AND TRAVEL

VALVE SIZE (inch)	1"								1½"	
	¾"									
	½"									
RATED Cv VALVE	0.40	0.63	1.0	2.5	4.0	6.0	10.0	12.0	15.0	20.0
EQ%	●	●	●	●	●	●	●	●	●	●
LINEAR	●	●	●	●	●	●	●	●	●	●
QUICK-CHANGE					●	●	●			
TRAVEL (mm)	15									

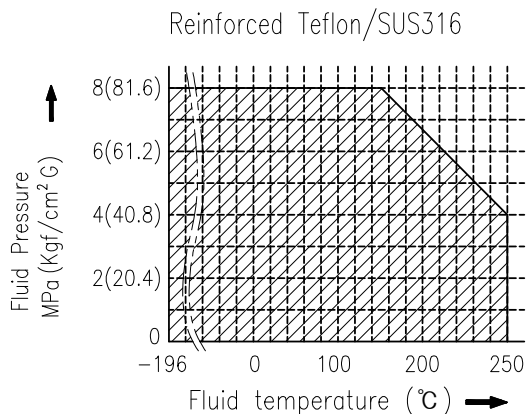
1. GLOBE VALVE (TEFLON VALVE TYPE)

4. OPERATING TEMPERATURE AND PRESSURE RANGE

< SOFT SEAT >



< BALANCE SEAL >



5. PERMISSIBLE MAXIMUM DIFFERENTIAL PRESSURE

5-1. DIRECT ACTION (AIR TO CLOSE)

ACTUATOR MODEL	SUPPLY PRESSURE (Kgf/cm ²) [KPA]	SPRING RANGE (Kgf/cm ²) [KPA]	POSITIONER	DIFFERENTIAL PRESSURE (Kgf/cm ²) [KPA] (BY VALVE SIZE (inch))			
				½"	¾"	1"	1½"
VM-500D	2.8 [270]	0.8~2.4 [78 ~ 240]	○	5.0 [490] (6.0 [590])	5.0 [490] (5.0 [490])	1.9 [190] (1.9 [190])	1.2 [120] (1.2 [120])
	4.0 [390]	1.2~3.0 [120 ~ 290]		-	-	5.0 [490] (6.0 [590])	5.0 [490] (6.0 [590])

NOTE : 1) Figures in () shows for conventional type.
2) ○ mark : Positioner is necessary.

5-2. REVERSE ACTION (AIR TO OPEN)

ACTUATOR MODEL	SUPPLY PRESSURE (Kgf/cm ²) [KPA]	SPRING RANGE (Kgf/cm ²) [KPA]	POSITIONER	DIFFERENTIAL PRESSURE (Kgf/cm ²) [KPA] (BY VALVE SIZE (inch))			
				½"	¾"	1"	1½"
VM-500R	2.8 [270]	0.8~2.4 [78 ~ 240]	○	5.0 [490] (6.0 [590])	5.0 [490] (6.0 [590])	5.0 [490] (6.0 [590])	5.0 [490] (6.0 [590])
	3.5 [340]	1.2~3.0 [120 ~ 290]		-	-	-	5.0 [490] (6.0 [590])

NOTE : 1) Figures in () shows for conventional type.
2) ○ mark : Positioner is necessary.

MODEL NAME

GLOBE VALVE

BALL VALVE

BUTTERFLY VALVE

DESUPERHEATER

SPECIAL PRODUCTS

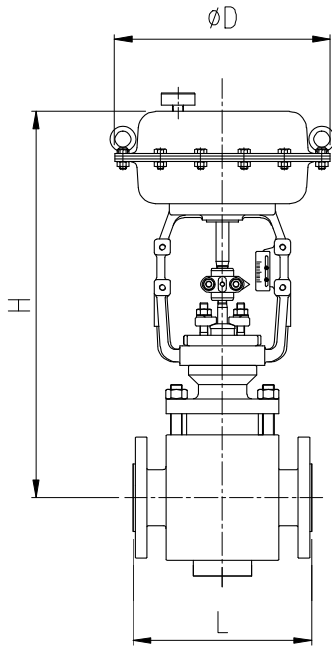
ACTUATOR

ACCESSORY

TECHNICAL DATA

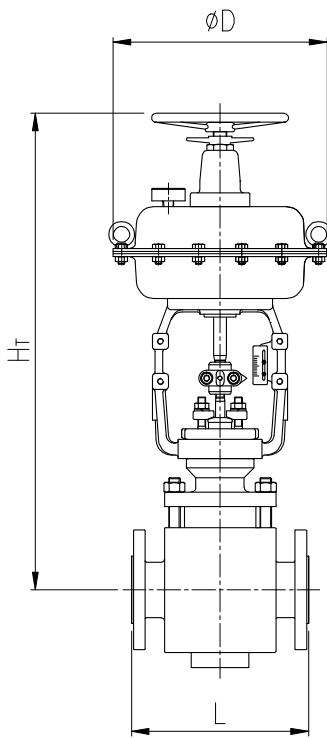
1. GLOBE VALVE (TEFLON VALVE TYPE)

6. STANDARD EXTERNAL DIMENSIONS (ANSI 150lbs)



UNIT : mm

SIZE		Face to Face (L)	Actuator SIZE (ØD)	Body Center to ACT. Top face (H)
inch	mm			
½"	15	184	184	435
¾"	20	184	184	435
1"	25	184	184	435
1½"	40	222	222	455



UNIT : mm

SIZE		Face to Face (L)	Actuator SIZE (ØD)	Body Center to ACT. Top face (Hr)
inch	mm			
½"	15	184	184	605
¾"	20	184	184	605
1"	25	184	184	605
1½"	40	222	222	625