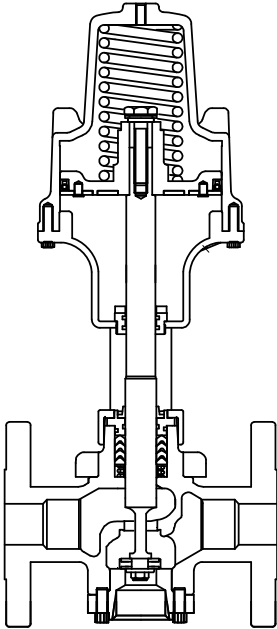


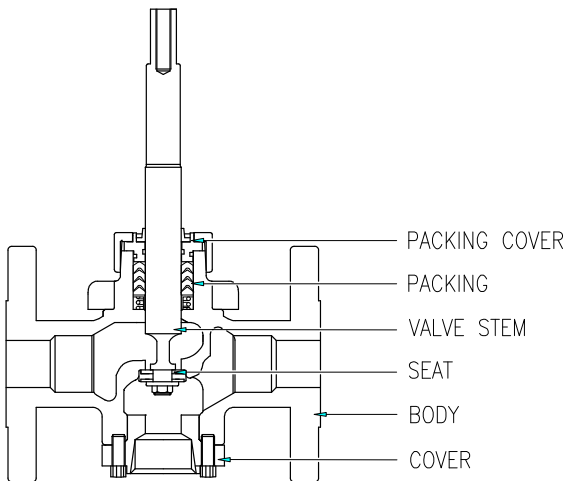
# 1. GLOBE VALVE (SHUT-OFF PISTON TYPE)

## 1. INTRODUCTION : PISTON VALVE



- Anti-waterhammer functioning with entry below seat.
- Pneumatic controlled valve with stainless steel body corrosion resistant.
- Pneumatic actuator (360° Rotation)
- Positioning shutter to guaranty the best seal
- Optical position indicator
- They can be used with back pressure for gaseous (the back pressure must not pass the functioning max pressure - see graphic)
- Selftrimming packing gland maintenance free
- The valve can be settled up in all positions.

## 2. INNER STRUCTURE & STANDARD SPECIFICATIONS



### MATERIALS

- BODY : CAST STAINLESS STEEL (SCS13)
- TRIM : SUS304, SUS316, SUS316L
- DISC : GRAPHITE-REINFORCED (PTFE)
- CYLINDER : DUCTILE CAST IRON (FCD450)

### DESIGN

- FLUID : STEAM, GAS, AIR, WATER, OIL etc.
- PRESSURE : 32Kg/cm<sup>2</sup> (460PSI)
- TEMPERATURE : 230°C (446°F)
- SUPPLY AIR : 2.5~3.5Kg/cm<sup>2</sup> (36 ~ 51PSI)

### ACTION TYPE

- N.O. : Normal Open - Action to close
- N.C. : Normal Close - Action to open

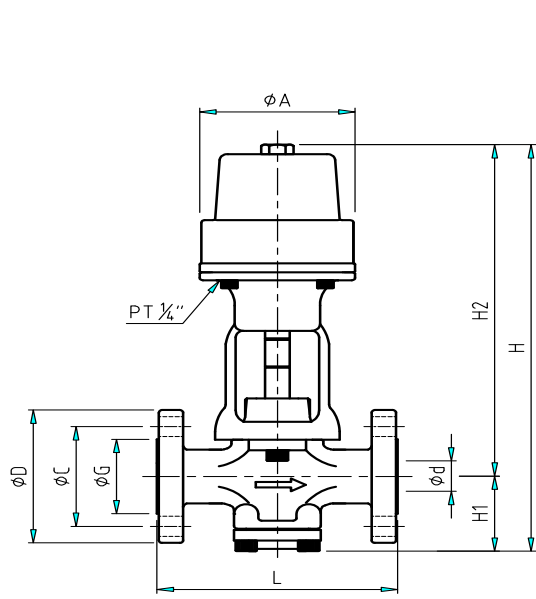
### END CONNECTION

- Flanged End : FF, RF, RTJ, SW, BW, etc.

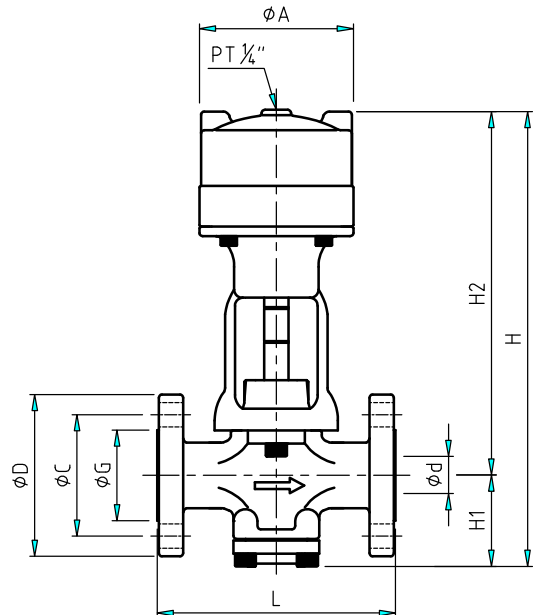
MODEL NAME
GLOBE VALVE
BALL VALVE
BUTTERFLY VALVE
DESUPERHEATER
SPECIAL PRODUCTS
ACTUATOR
ACCESSORY
TECHNICAL DATA

# 1. GLOBE VALVE (SHUT-OFF PISTON TYPE)

## 3. STANDARD EXTERNAL DIMENSIONS



MODEL : PFO SERIES  
( Normal Open )



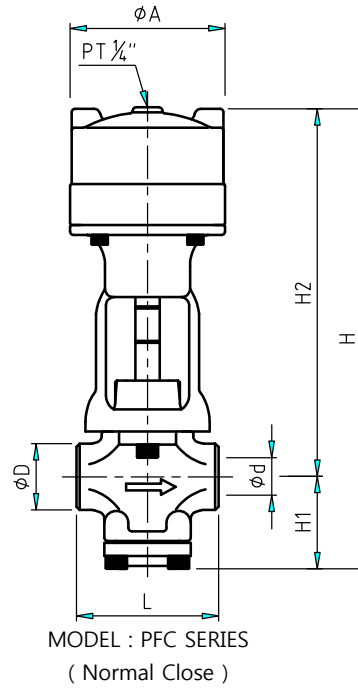
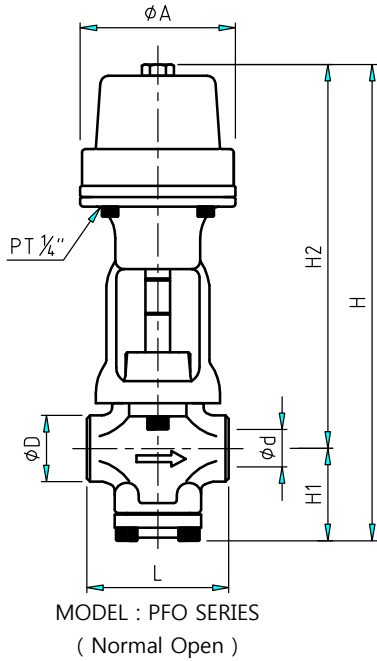
MODEL : PFC SERIES  
( Normal Close )

UNIT : mm

MODEL (mm)	SIZE (inch)	L	H	H1	H2	φA	B	φD	C	φG	END CONN.
PFO-15	½	146	224	48	176	102	71	95	70	52	RF (JIS) (ANSI) (DIN)
PFO-20	¾	146	262	53	209	108	76	100	75	58	
PFO-25	1	167	343	67	276	126	90	125	90	70	
PFO-32	1¼	190	396	71	325	159	105	135	100	80	
PFO-40	1½	190	440	91	349	194	120	140	105	85	
PFO-50	2	216	490	102	388	206	130	155	120	100	

MODEL (mm)	SIZE (inch)	L	H	H1	H2	φA	B	φD	C	φG	END CONN.
PFC-15	½	146	224	48	164	102	71	95	70	52	RF (JIS) (ANSI) (DIN)
PFC-20	¾	146	262	53	189	108	76	100	75	58	
PFC-25	1	167	343	67	237	126	90	125	90	70	
PFC-32	1¼	190	396	71	281	159	105	135	100	80	
PFC-40	1½	190	440	91	299	194	120	140	105	85	
PFC-50	2	216	490	102	330	206	130	155	120	100	

# 1. GLOBE VALVE (SHUT-OFF PISTON TYPE)



UNIT : mm

MODEL (mm)	SIZE (inch)	L	$\Phi D$	H	H1	H2	$\Phi A$	B	d	WEIGHT (Kgf)	END CONN.
PSO-08	¼	85	28	220	48	172	102	71	8	2.9	PT NPT BSPT
PSO-10	⅜	85	28	220	48	172	102	71	10	2.9	
PSO-15	½	85	28	220	48	172	102	71	15	2.9	
PSO-20	¾	110	36	287	52	235	107	76	20	4	
PSO-25	1	120	44	319	67	252	126	90	25	7.1	
PSO-32	1¼	145	54	383	71	312	159	105	32	9.8	
PSO-40	1½	150	62	413	91	322	194	120	40	12.8	

MODEL (mm)	SIZE (inch)	L	$\Phi D$	H	H1	H2	$\Phi A$	B	d		END CONN.
PSC-08	¼	85	28	210	48	172	102	71	8		PT NPT BSPT
PSC-10	⅜	85	28	210	48	172	102	71	10		
PSC-15	½	85	28	210	48	172	102	71	15		
PSC-20	¾	110	36	212	52	235	107	76	20		
PSC-25	1	120	44	305	67	252	126	90	25		
PSC-32	1¼	145	54	352	71	312	159	105	32		
PSC-40	1½	150	62	388	91	322	194	120	40		

MODEL NAME	GLOBE VALVE	BALL VALVE	BUTTERFLY VALVE	DESUPERHEATER	SPECIAL PRODUCTS	ACTUATOR	ACCESSORY	TECHNICAL DATA
------------	-------------	------------	-----------------	---------------	------------------	----------	-----------	----------------