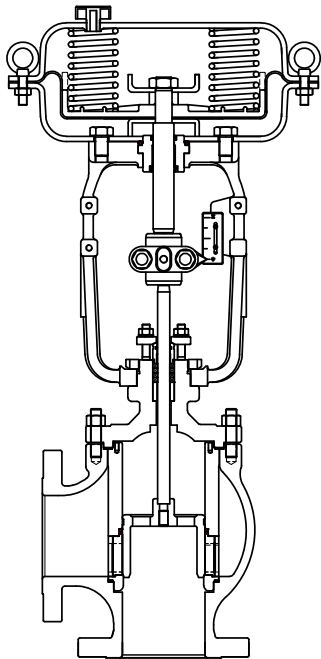


1. GLOBE VALVE (2 WAY ANGLE PATTERN TYPE)

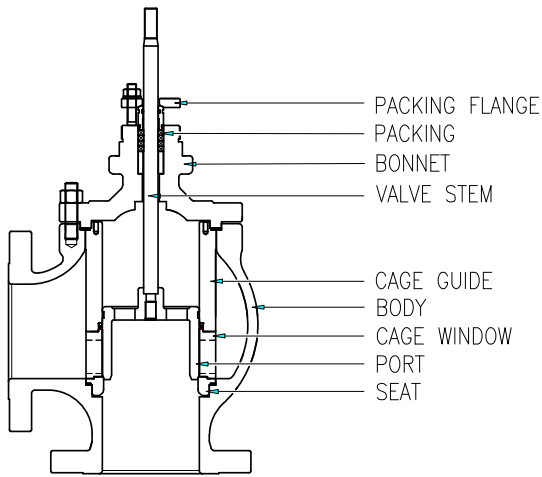
MODEL NAME VM-7100/7200	GLOBE VALVE	BALL VALVE	BUTTERFLY VALVE	DESUPERHEATER	SPECIAL PRODUCTS	ACTUATOR	ACCESSORY	TECHNICAL DATA
----------------------------	-------------	------------	-----------------	---------------	------------------	----------	-----------	----------------

1. INTRODUCTION : ANGLE PATTERN TYPE



7100/7200 Series : Angle pattern control valve has been designed and manufactured to suit fluids with high differential pressure, high density, slurry and high viscosity. Depending on the structure of interior trim, it has outstanding features on high density, slurry and high viscosity fluids and its structure minimizes wear and tear of the body caused by vortex. Its quick change type of top entry structure enables simple maintenance and repair without disassemble of pipelines. It is also good at coping with changes in fluid amount and characteristic changes in the process line. It is economical, because it does not require many accessories.

2. INNER STRUCTURE & STANDARD SPECIFICATIONS



PRESSURE RATING

JIS/KS 10K, 16K, 20K, 30K, 40K, 63K

ANSI CLASS 150, 300, 600, 900, 1500

END CONNECTION

Flanged End : FF, RF, RTJ, SW, BW, etc.

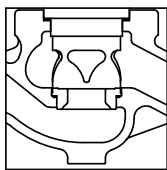
MATERIAL

BODY : SCPH2, SCS13A, SCS14A, SCS16, etc.

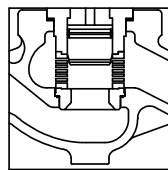
TRIM : SUS304, SUS316, SUS316L

GASKET : SUS316+Graphite Spiral Wound, etc.

GENERAL CAGE TYPE



CAGE WINDOW
(VM-1300)



MULTI HOLE
(VM-1320)

FLOW DIRECTION

FTC : Flow action to Close

1. GLOBE VALVE (2 WAY ANGLE PATTERN TYPE)

MODEL NAME
VM-7100/7200

GLOBE VALVE

BALL VALVE

BUTTERFLY VALVE

DESUPERHEATER

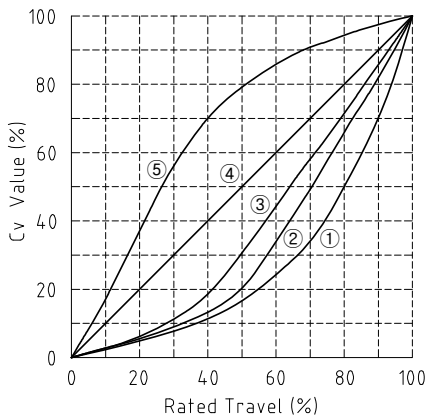
SPECIAL PRODUCTS

ACTUATOR

ACCESSORY

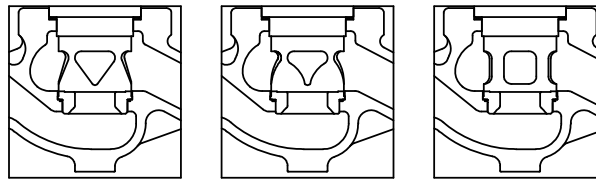
TECHNICAL DATA

3. CAGE TYPE



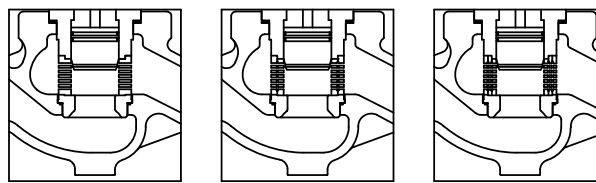
- ① Equal Percentage
- ② Parabolic
- ③ Modified Parabolic
- ④ Linear
- ⑤ Quick Change

VM - 1300 SERIES : Window Type



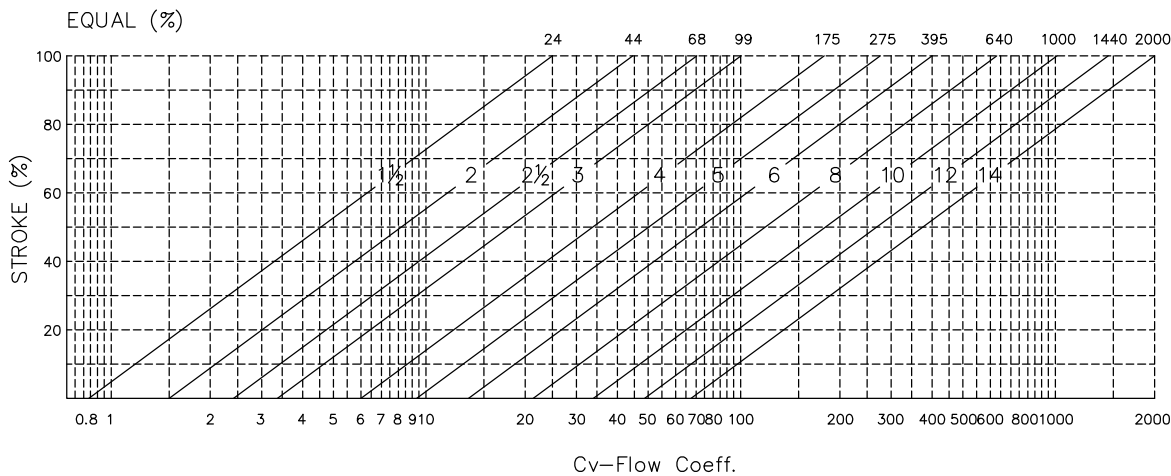
P - EQ% PORT LINEAR PORT ON-OFF PORT
PRESSURE UN/BALANCED TYPE

VM - 1320 SERIES : Multi Hole Type



SINGLE STAGE DOUBLE STAGE MULTI STAGE
LOW NOISE & ANTI CAVITATION TYPE

4. EQUAL PERCENTAGE FLOW CHARACTERISTICS



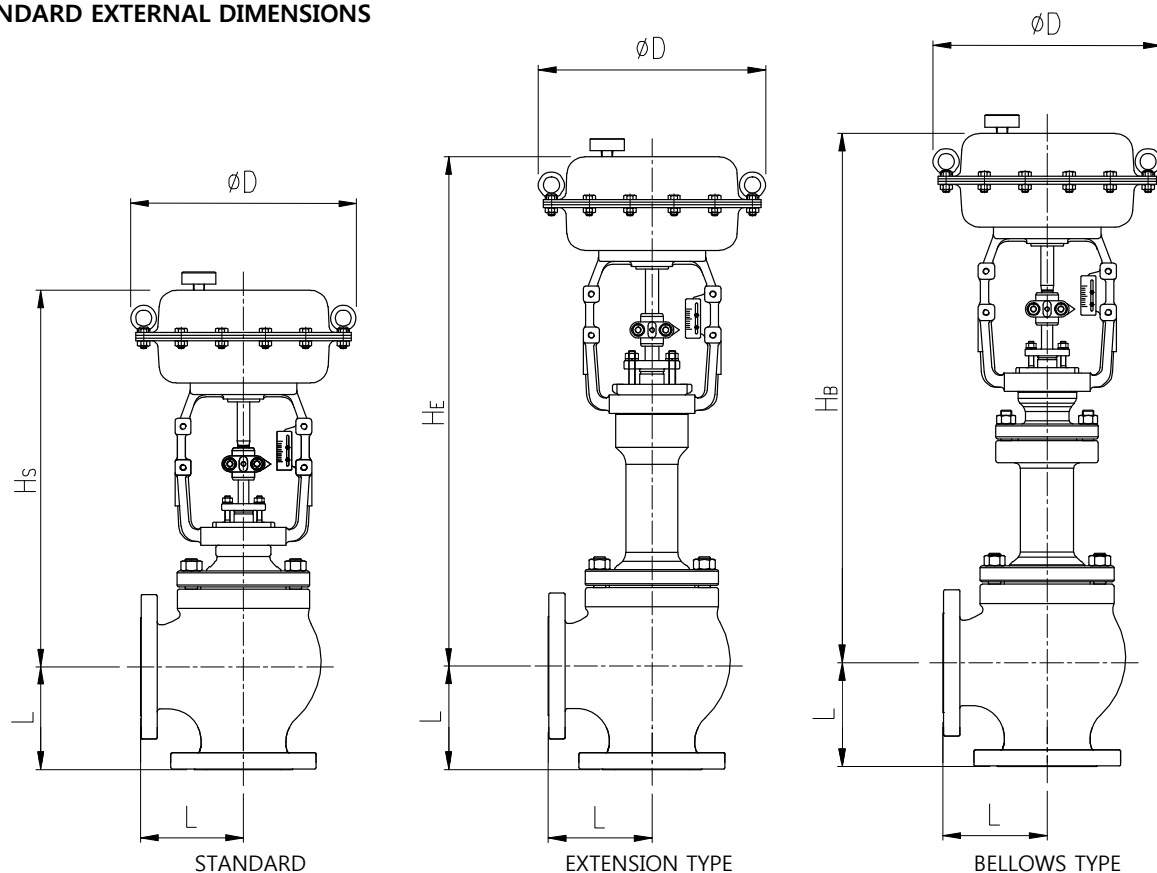
5. STANDARD SIZE & Cv VALUE

UNIT : mm

Valve Type		2 Way Globe For Angle Pattern Type											REMARK		
Size	inch	1½	2	2½	3	4	5	6	8	10	12	14			
	mm	40	50	65	80	100	125	150	200	250	300	350			
Rated Travel (mm)		25	25	25	38	38	50	50	75	100	100	100			
Cv Value (Full)	Control Type	28	40	55	70	90	130	180	280	480	660	1200	1600	2000	
	On-off Type	50	60	80	140	190	300	500	700	1250	1680	2100			

1. GLOBE VALVE (2 WAY ANGLE PATTERN TYPE)

6. STANDARD EXTERNAL DIMENSIONS

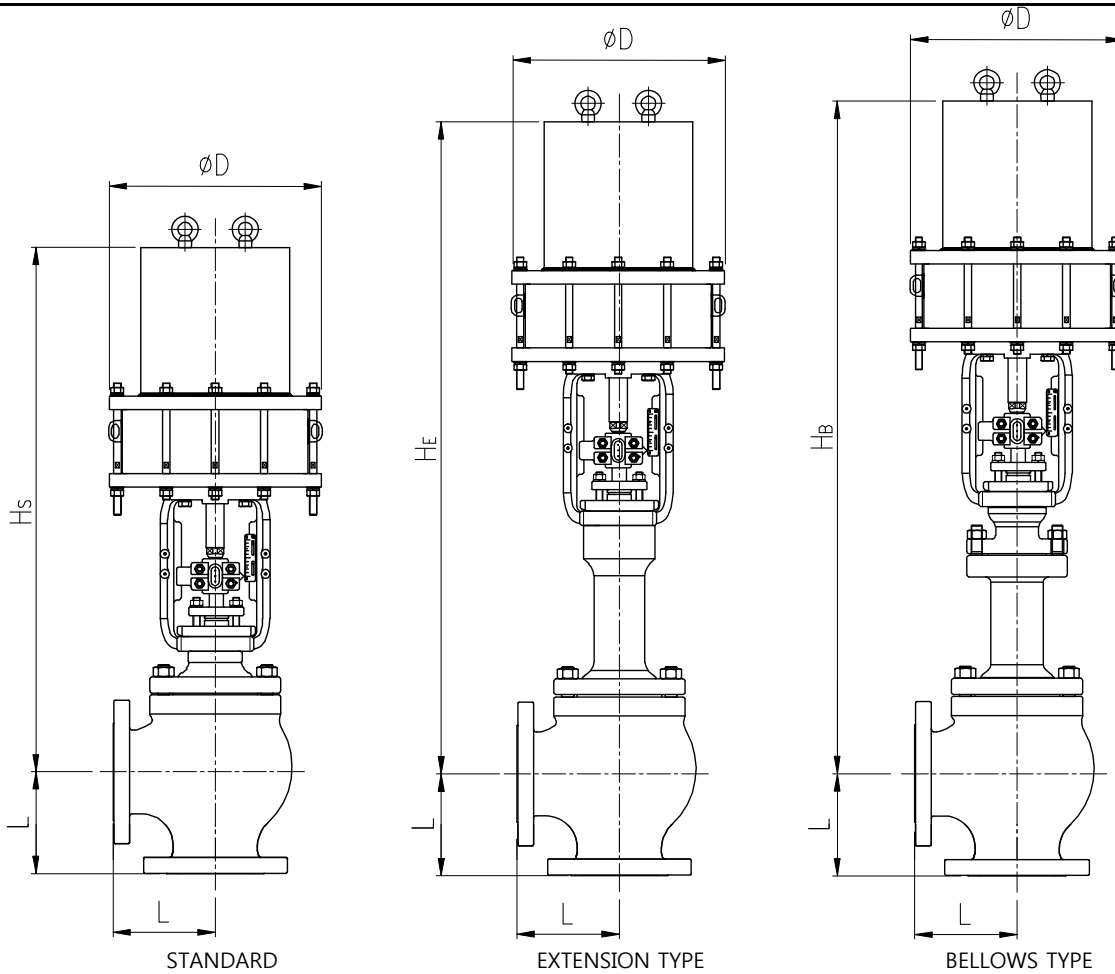


UNIT : mm

Size (inch)	150lb RF (JIS/KS 10K)				300lb RF (JIS/KS 20K)				ϕD
	H_s (STANDARD)	H_E (EXTENSION)	H_B (BELLOWS)	L (FACE TO FACE)	H_s (STANDARD)	H_E (EXTENSION)	H_B (BELLOWS)	L (FACE TO FACE)	
1½	480	570	570	111	480	570	570	118	270
2	480	575	575	127	480	575	575	134	270
2½	595	695	695	138	595	695	695	146	365
3	595	715	715	149	595	715	715	159	365
4	610	730	730	176	610	730	730	184	365
5	795	925	925	202	795	925	925	213	450
6	880	1025	1025	226	880	1025	1025	237	450
8	990	1040	1040	272	990	1040	1040	284	450
10	995	1155	1155	337	995	1155	1155	354	450
12	1085	1355	1355	369	1085	1355	1355	388	620
14	1215	1395	1395	445	1215	1395	1395	464	620

Note : Face to face dimension conform to IEC 534-3 : 1976 Specifications.

1. GLOBE VALVE (2 WAY ANGLE PATTERN TYPE)



UNIT : mm

Size (inch)	600Lb RF (JIS/KS 40K)				900Lb RF (JIS/KS 63K)				ΦD
	Hs (STANDARD)	HE (EXTENSION)	HB (BELLOWS)	L (FACE TO FACE)	Hs (STANDARD)	HE (EXTENSION)	HB (BELLOWS)	L (FACE TO FACE)	
1½	480	570	570	126	495	595	595	159	270
2	480	575	575	143	495	600	600	170	270
2½	595	695	695	156	615	725	725	183	365
3	595	715	715	169	615	740	740	194	365
4	610	730	730	197	630	750	750	232	365
5	795	925	925	229	815	945	945	294	450
6	880	1025	1025	254	900	1040	1040	300	450
8	990	1040	1040	305	1010	1070	1070	392	450
10	995	1155	1155	376	1025	1185	1185	432	450
12	1085	1355	1355	410	1215	1390	1390	508	620
14	1215	1395	1395	486	1245	1420	1420	629	620

Note : Face to face dimension conform to IEC 534-3 : 1976 Specifications.

MODEL NAME VM-7100/7200	GLOBE VALVE	BALL VALVE	BUTTERFLY VALVE	DESUPERHEATER	SPECIAL PRODUCTS	ACTUATOR	ACCESSORY	TECHNICAL DATA
----------------------------	-------------	------------	-----------------	---------------	------------------	----------	-----------	----------------