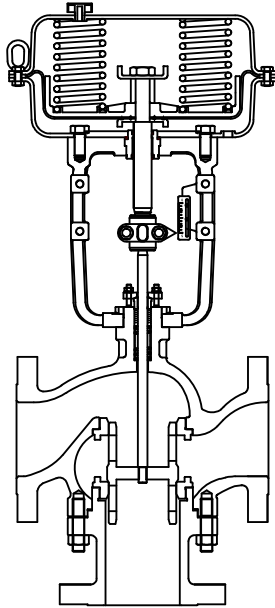


1. GLOBE VALVE (3 WAY CONTROL TYPE)

MODEL NAME VM-3100/3200	GLOBE VALVE	BALL VALVE	BUTTERFLY VALVE	DESUPERHEATER	SPECIAL PRODUCTS	ACTUATOR	ACCESSORY	TECHNICAL DATA
----------------------------	-------------	------------	-----------------	---------------	------------------	----------	-----------	----------------

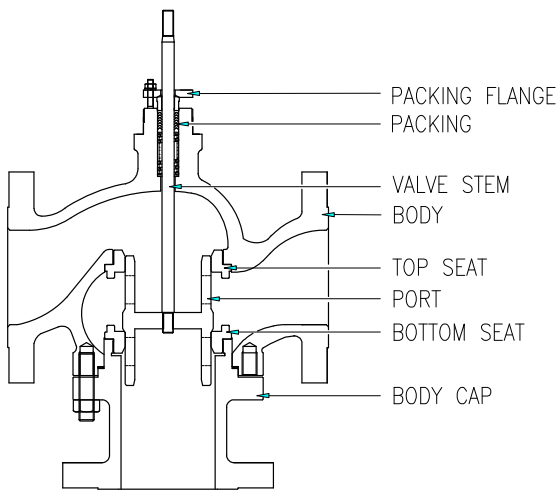
1. INTRODUCTION : ANGLE PATTERN TYPE



3100 Series : Mixing service type has been designed and manufactured to enable two different fluids to flow through one exit. Strong guide of post and stem can withstand the toughest vibration and two ports can divide, distribute and control the flow of two different fluids with precise ratio. It has been built to send constant amount of fluids but is not built to control the flow of fluid amount.

3200 Series : Diverting service type has been designed to allow single fluid to enter through one entrance and come out through two exits at both ends of the process. Unlike the mixing service, it has been designed to control the flow of precise ratio of fluids at both exits.

2. INNER STRUCTURE & STANDARD SPECIFICATIONS



PRESSURE RATING

JIS/KS 10K, 16K, 20K, 30K, 40K, 63K
ANSI CLASS 150, 300, 600, 900, 1500

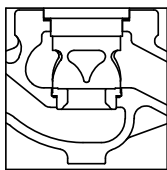
END CONNECTION

Flanged End : FF, RF, RTJ, SW, BW, etc.

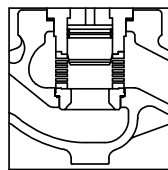
MATERIAL

BODY : SCPH2, SCS13A, SCS14A, SCS16, etc.
TRIM : SUS304, SUS316, SUS316L
GASKET : SUS316+Graphite Spiral Wound, etc.

GENERAL CAGE TYPE



CAGE WINDOW



MULTI HOLE

FLOW DIRECTION

FTC : Flow action to Close

1. GLOBE VALVE (3 WAY CONTROL TYPE)

MODEL NAME
VM-3100/3200

GLOBE VALVE

BALL VALVE

BUTTERFLY VALVE

DESUPERHEATER

SPECIAL PRODUCTS

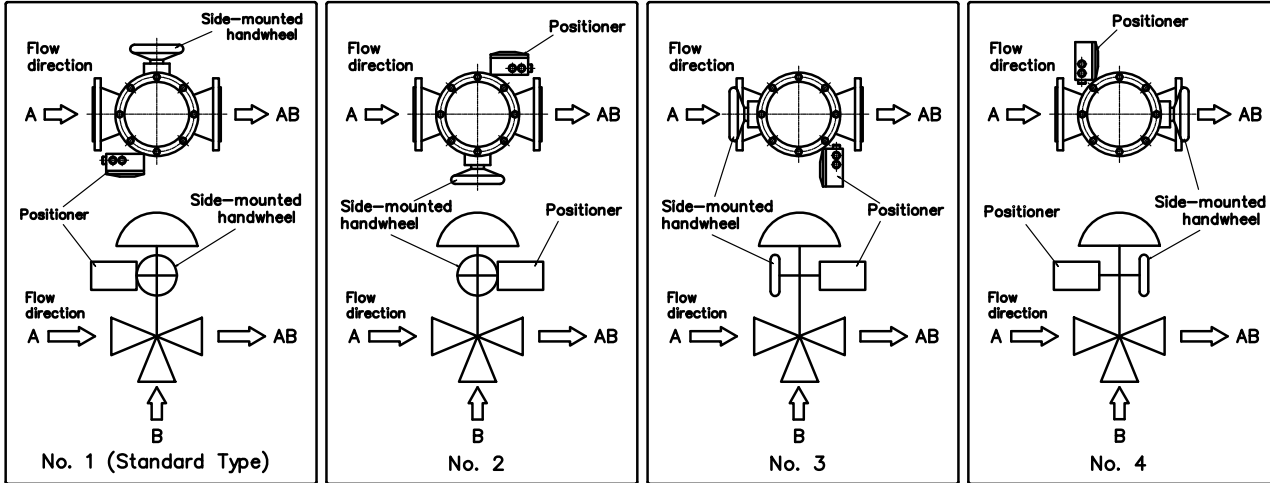
ACTUATOR

ACCESSORY

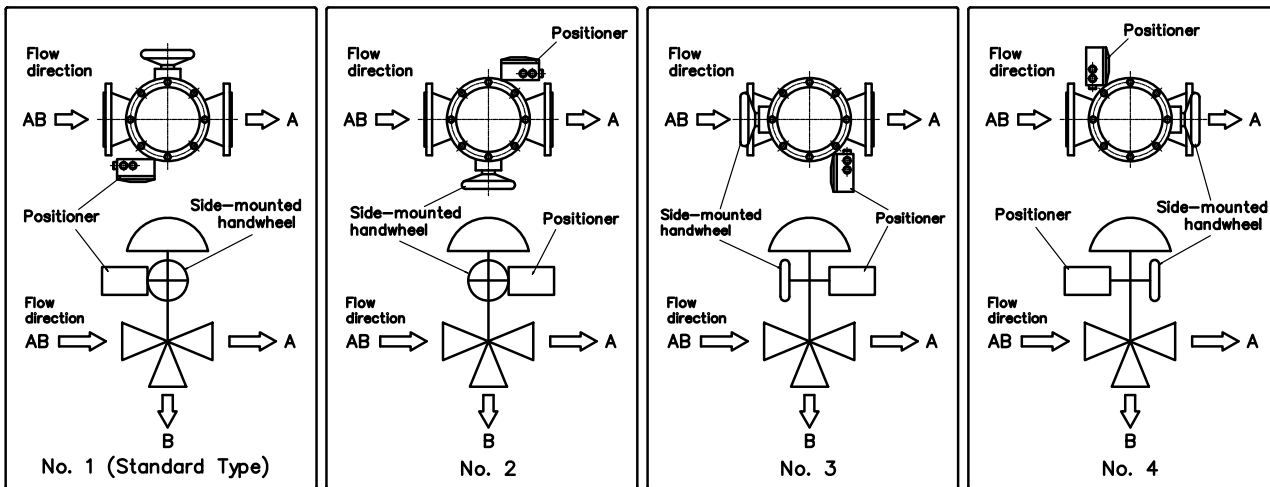
TECHNICAL DATA

3. FLOW DIRECTION TYPE

MIXING SERVICE TYPE FLOW DIRECTION



DIVERTING SERVICE TYPE FLOW DIRECTION

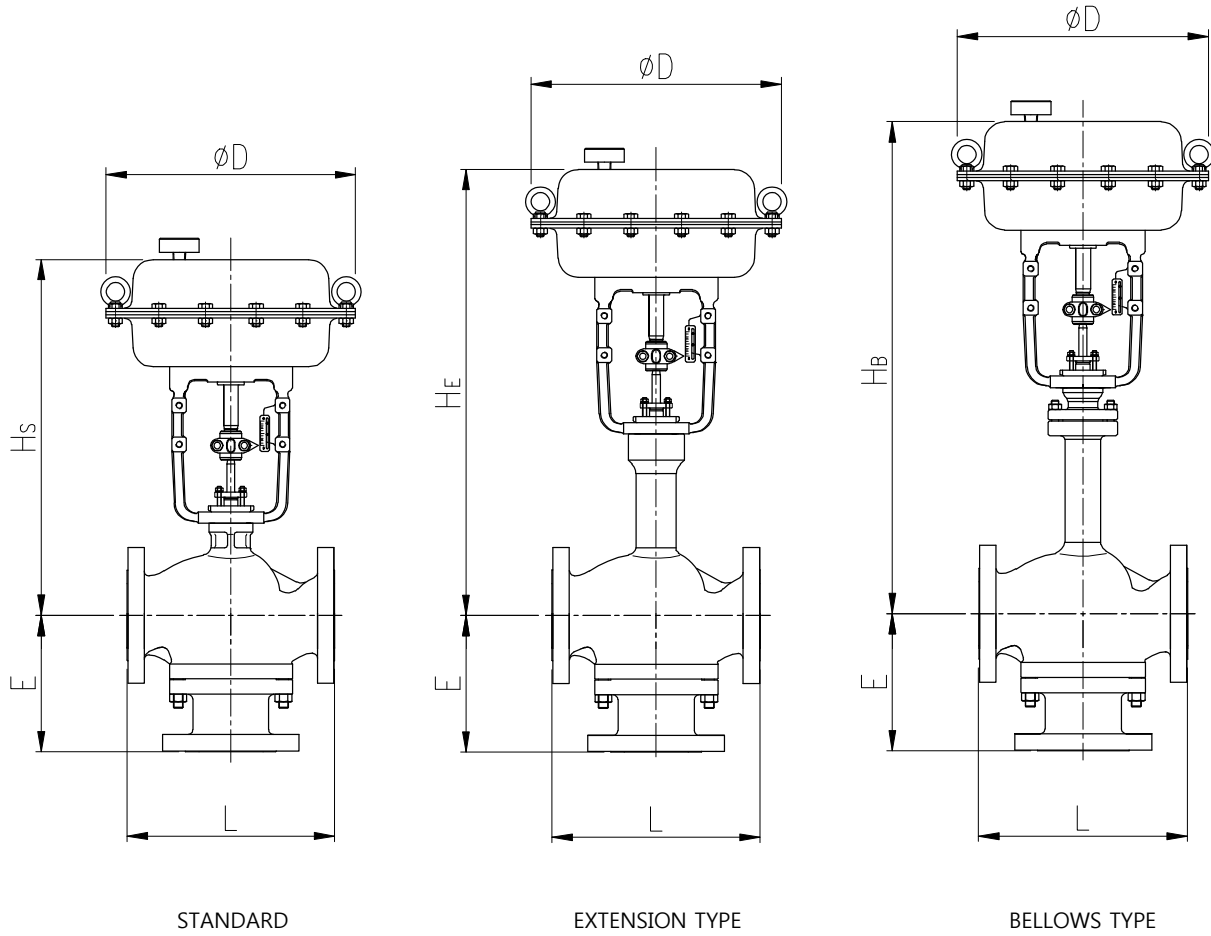


4. STANDARD SIZE & Cv VALUE

Valve Type		2 Way Globe For Three Way Type													
Size	inch	¾	1	1½	2	2½	3	4	5	6	8	10	12		
	mm	20	25	40	50	65	80	100	125	150	200	250	300		
Rated Travel (mm)		15	15	25	25	38	38	38	50	50	50	75	75		
Cv Value (Full)	Control Type	6.3	10	28	40	55	70	90	130	160	250	360	600	930	1340
	On-off Type	9.0	13	44	60	72	100	165	270	400	660	1100	1400		

1. GLOBE VALVE (3 WAY CONTROL TYPE)

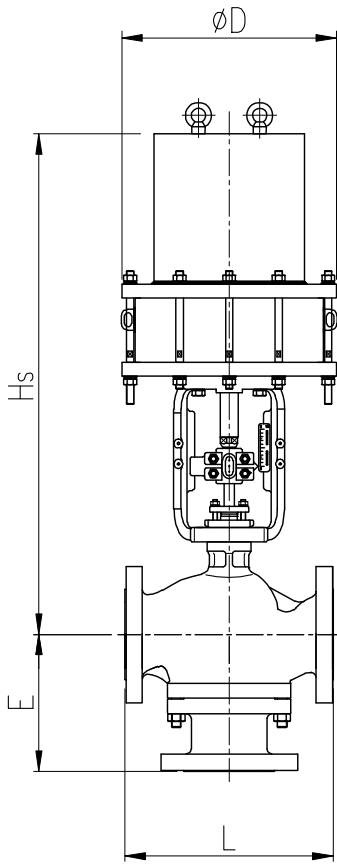
5. STANDARD EXTERNAL DIMENSIONS



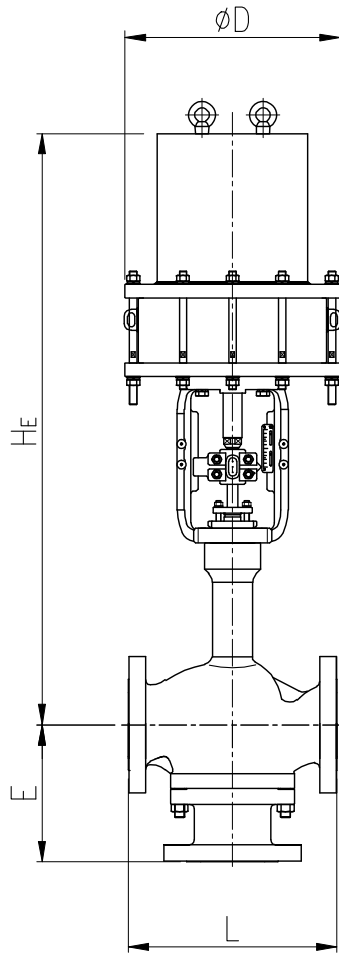
Size (inch)	ACTUATOR SIZE	L (ANSI CLASS)			E (mm)	HE (mm) EXTENSION	Hb (mm) BELLOWS	Hs (mm) STANDARD	ØD (mm)
		150Lb RF	300Lb RF	600Lb RF					
¾	220	184	194	206	135	435	595	400	220
	270							495	270
1	220	184	194	210	135	510	670	400	220
	270							475	270
1½	220	222	235	251	168	590	590	400	220
	270							495	270
	365							590	365
2	220	254	267	286	180	600	600	400	220
	270							510	270
	365							605	365
2½	270	276	292	311	200	730	730	545	270
	350							670	365
	365							875	450

Note : Face to face dimension conform to IEC 534-3 : 1976 Specifications.

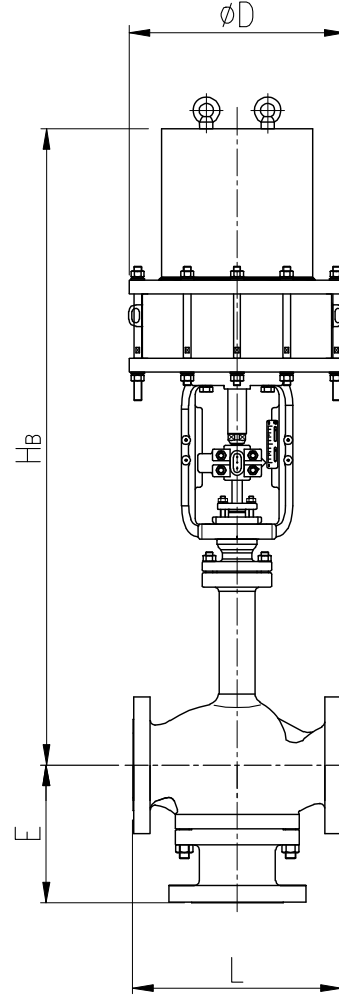
1. GLOBE VALVE (3 WAY CONTROL TYPE)



STANDARD



EXTENSION TYPE



BELLOWS TYPE

MODEL NAME
VM-3100/3200

GLOBE VALVE

BALL VALVE

BUTTERFLY VALVE

DESUPERHEATER

SPECIAL PRODUCTS

ACTUATOR

ACCESSORY

TECHNICAL DATA

Size (inch)	ACTUATOR SIZE	L (ANSI CLASS)			He (mm) EXTENSION	Hb (mm) BELLOWS	Hs (mm) STANDARD	HS (mm)	ΦD (mm)
		150lb RF	300lb RF	600lb RF					
3	270	298	317	337	220	755	755	565	270
	350							685	365
	450							890	450
4	270	352	368	394	245	780	780	565	270
	365							703	365
	450							910	450
5	365	403	425	457	280	990	990	715	365
	450							945	450
	350							740	365
6	450	451	473	508	320	1095	1095	970	450
	450							1430 / 1540	450
	600							1525 / 1630	620
8	600	543	568	610	370	1140	1140	1760 / 1890	620
	600							1810 / 1940	620
10	600	673	451	752	450	1280	1280	1760 / 1890	620
12	600	737	543	819	500	1505	1505	1810 / 1940	620

Note : Face to face dimension conform to IEC 534-3 : 1976 Specifications.